

CERTIFIED LAND CORNER RESTORATION

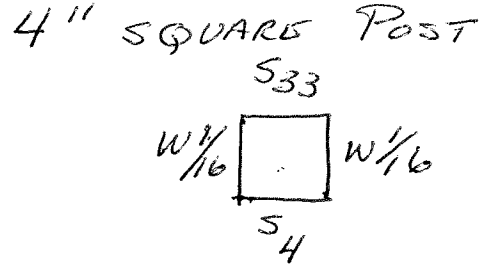
Index No. **A-20**  
**A-10**

State of Wisconsin }  
County of LANGHADE } ss.

History of original corner establishment:  
1930 COUNTY RESURVEY PROJECT

I RAYMOND J. HALLISY, do hereby certify that on the 9 day of MAY, 19 81, I found evidence of the W 1/16 corner of SEC 4 Township 32, North, Range 12E, Fourth Principal Meridian, as described hereon; and that from this evidence I established a new monument and accessories as described hereon to perpetuate the original location of this corner.

Description of corner evidence found:

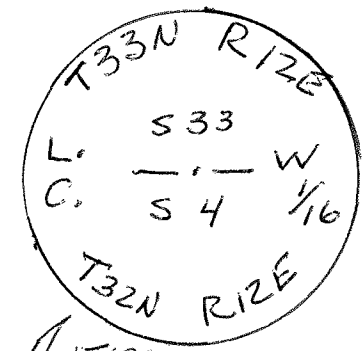


NO B.T. OBSERVED

Resident witnesses:  
\_\_\_\_\_  
\_\_\_\_\_  
\_\_\_\_\_

Description of monument and accessories I established to perpetuate the original location of this corner.

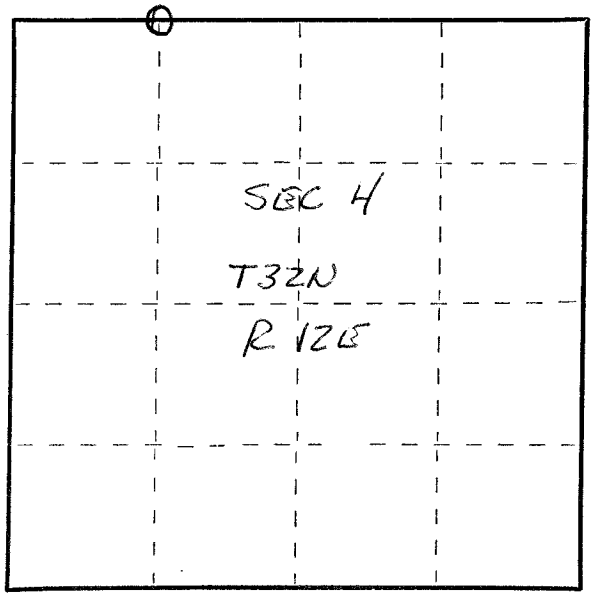
2" BRASS CAP



NEW BEARING TREES - SCRIBED B.T.

7" HARD MAPLE N 22° E 10.00 FT  
9" HARD MAPLE S 8° W 5.00 FT

4  
SEC 32 T32N R12E



Dated at ANTIGO, Wis., this 9 day of MAY, 19 81

Signature Raymond J. Hallisy Title REG. LAND SURVEYOR Registration No. 5-685  
(County Surveyor, Registered Land Surveyor, or other duly authorized official)

Office of Register of Deeds, County of \_\_\_\_\_, I hereby certify that the within instrument was filed in this office for record on the \_\_\_\_\_ day of \_\_\_\_\_, 19 \_\_\_\_\_ at \_\_\_\_\_ o'clock \_\_\_\_\_ M.

(Register of Deeds)

By \_\_\_\_\_ Deputy

○ = Corner monument restored.

FORM 985 H. C. MILLER CO., MILWAUKEE