

U.S. PUBLIC LAND SURVEY MONUMENT RECORD

Instructions: This record shall show the location of the corner and shall include all of the following nine elements (a through i).

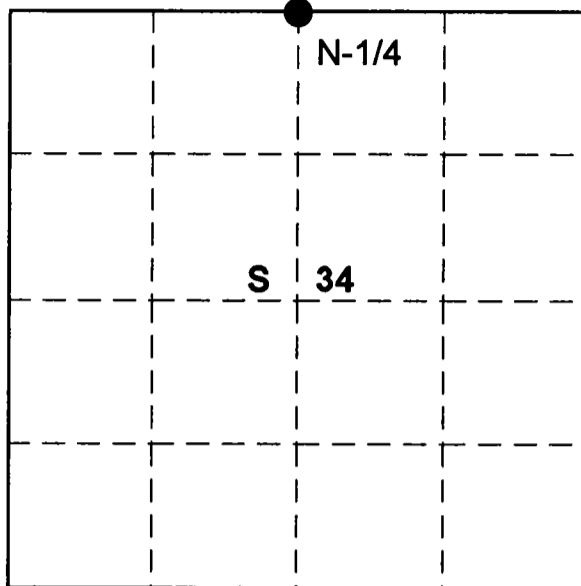
(a) Identify the corner by reference to the U.S. public land survey system.

○ = Corner monument restored.

N-1/4 Corner
Sec. 34, T 33 N, R 10 E

Type of Monument:

2-1/4" Alum. Pipe W/ 3-1/4" Alloy cap
Projecting 8" above ground



Langlade COUNTY

(b) Describe any record evidence, monument evidence, occupational evidence, testimonial evidence or any other material evidence you considered, and whether the monument was found or placed.

Original corner established in 1860 by Hiram C. Fellows Gov.t Deputy Surveyor, from which Hemlock 11" bears N30W 8 lks., and Lind 14" bears S15E 6 lks.

In 1905 E.S. Brooks county surveyor subdividing section 34, recovered the original Hemlock B.T. and marked N.B.T. Birch 12' S74E 40.5 lks.

Found old rock fence running east and west and old wire fence running north. A field lies To the south of rock fence. A timber change east and west of wire fence running north.

Found fence corner evidence at the C-1/4 and NC-1/16 ran control between the two and The point of intersection of rock and wire fence, for a distance of 2245.99', with only a four Minute bust in the total line. Brooks had a distance of 2245.98' Accepted this as the best available evidence as it is harmoniously related to existing condition.

(c) In the plan view drawing below, provide reference ties to at least 4 witness monuments, or, if the location is within a municipality, to at least 2 witness monuments. (Witness monuments shall be made of concrete, natural stone, iron or other equally durable material).

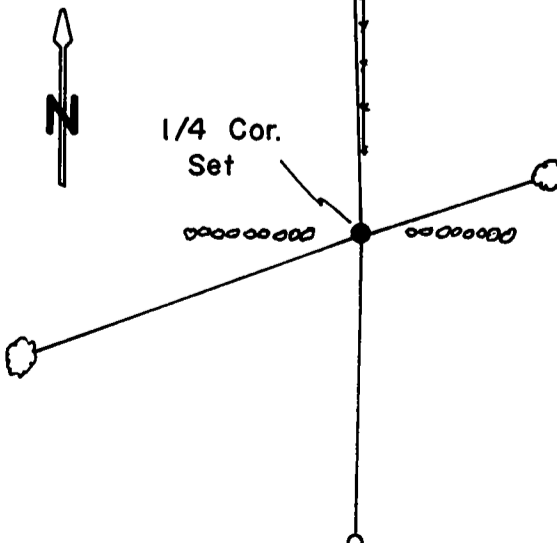
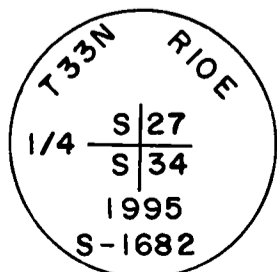
Describe witness monuments:

Set two 3/4" rebar as reference monuments
S02 18' 27"W 15.86' --- N02 27' 18"W 16.23'

(d) Show a plan view drawing depicting the relevant monuments and reference ties which is sufficient in detail to enable accurate relocation of the corner monument if the corner monument is disturbed. Indicate north.

Marked two N.B.T.s
Sugar maple 7" N73E 10.03'
Sugar maple 7" S71W 19.32'

Monument Set



County File No. _____

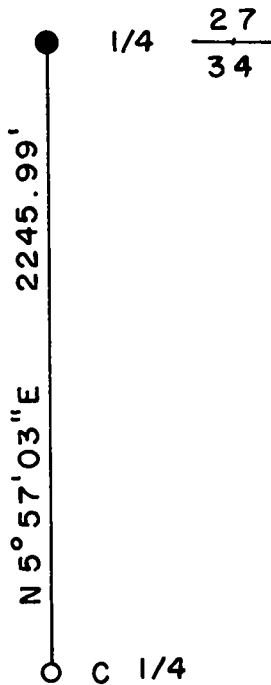
V15

(e) Describe an material discrepancy between the location of the corner as restored or reestablished and the location of that corner as previously restored or reestablished by distance and direction. Show the discrepancy on the plan view drawing under (d), above. Show the distances between the corner as previously restored or reestablished and (1) the corner as restored or reestablished, and (2) to at least 2 of the witness monuments shown on the drawing in (d), above.

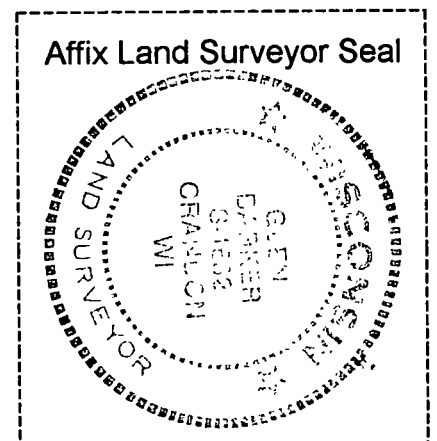
(f) Was the corner restored through acceptance of (1) an obliterated evidence location, or, (2) a found perpetuated location?

Perpetuated location.

(g&h) Was the corner reestablished through lost corners proportionate methods? If so, show the method, including the directions and distances to other public land survey corners used as evidence or used for proportioning in determining the corner location?



(i) I, Glen Barker
 (type or print name) certify that the corner location shown on this record was determined by me or under my direction and control and that this U.S. Public Land Survey Monument is correct and complete to the best of my knowledge and belief.



Glen Barker
 Signature

2/6/96
 Date

34 33 10E
 SEC TWN RNG